

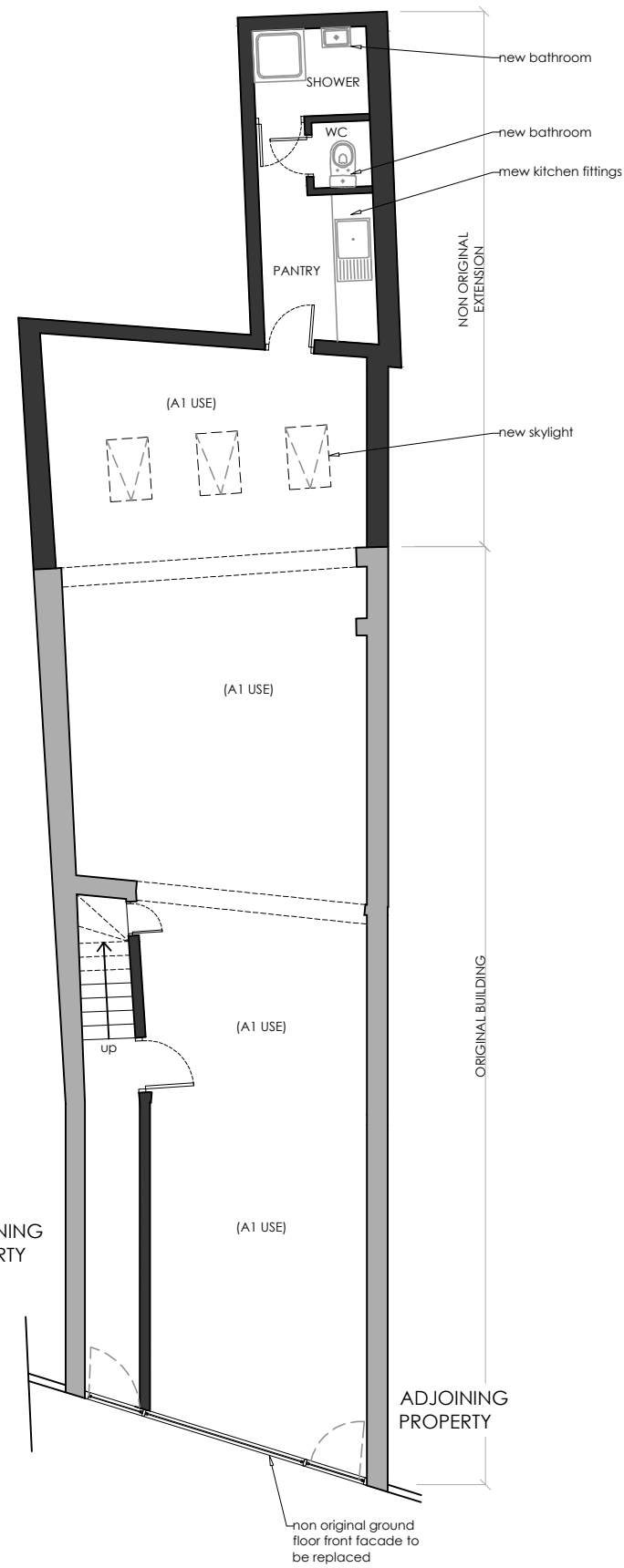
LEGEND

- EXISTING ORIGINAL
- EXISTING NON ORIGINAL
- DEMOLITION

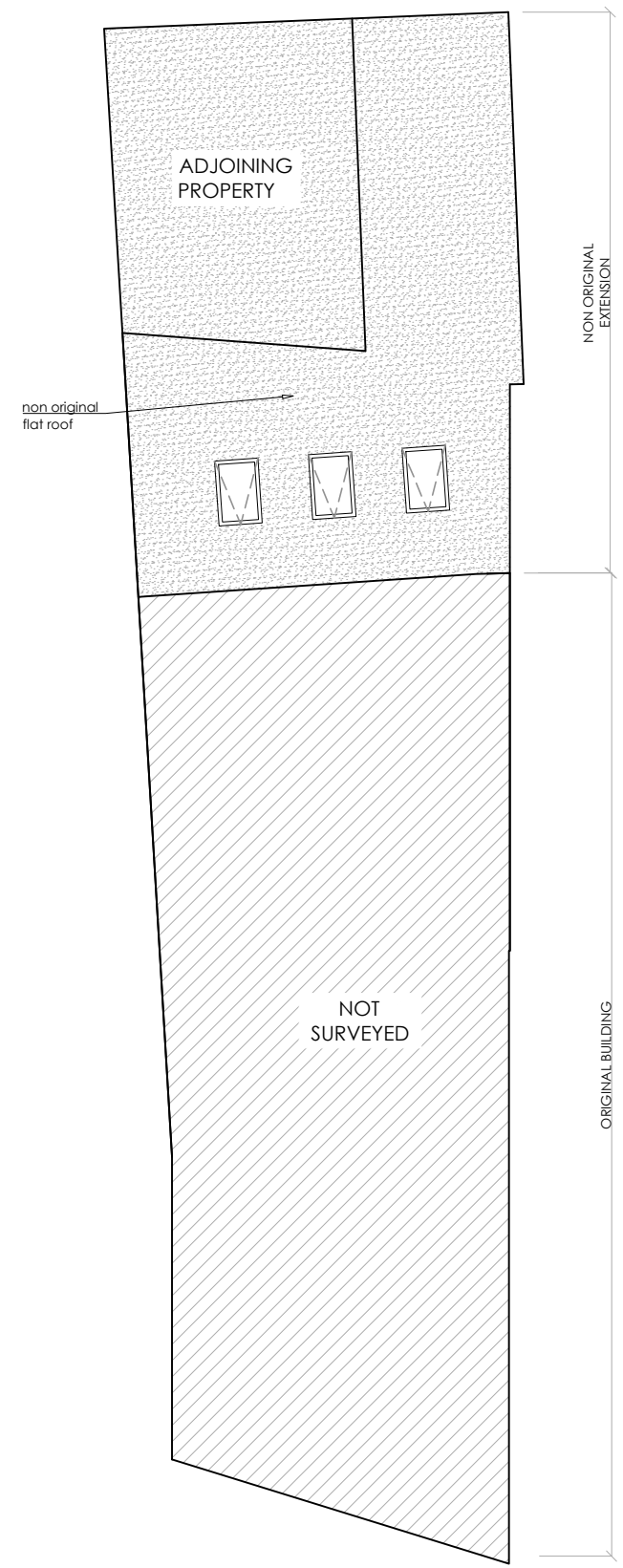


**DESIGN
EXTENSION**

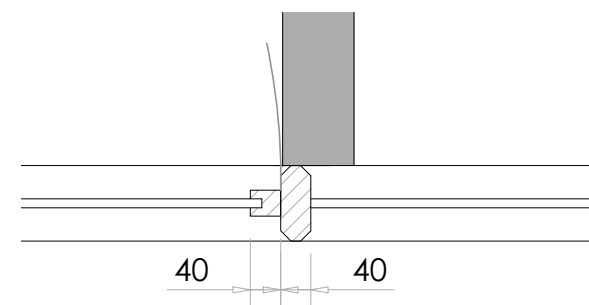
125, 420 London road,
Croydon, CR0 2NT
Tel: 020 7856 0495
E: planning@designextension.co.uk
www.designextension.co.uk



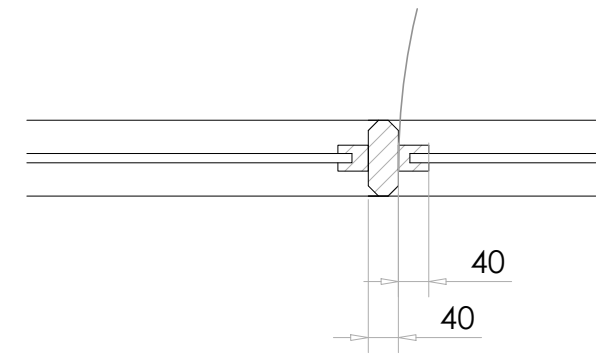
PROPOSED GROUND FLOOR PLAN
(A1 USE)



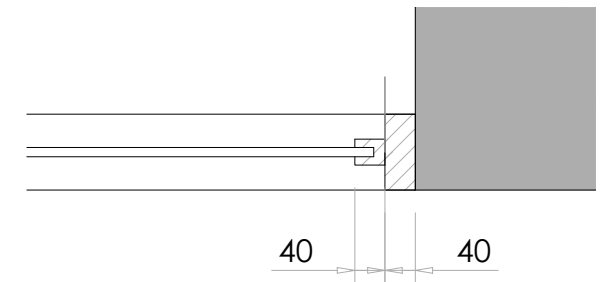
PROPOSED FIRST FLOOR PLAN



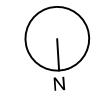
FRAME DETAIL
PLAN
SCALE 1:10 @A3



FRAME DETAIL
PLAN
SCALE 1:10 @A3



FRAME DETAIL
PLAN
SCALE 1:10 @A3



Planning Application



Client
Adam Caan
-
Site
**803 Commercial Rd
E14 7HG**
-
Project
Refurbishment

Proposed Floor plans

Drawn by
P101
Scale
1:100 @ A3
Date
Mar /17

This drawing is copyright © 2014.
1. This proposal is based on survey carried out
2. The proposal is subject to all statutory approvals
3. The proposal must not be used for any other purpose
other than that stated above.